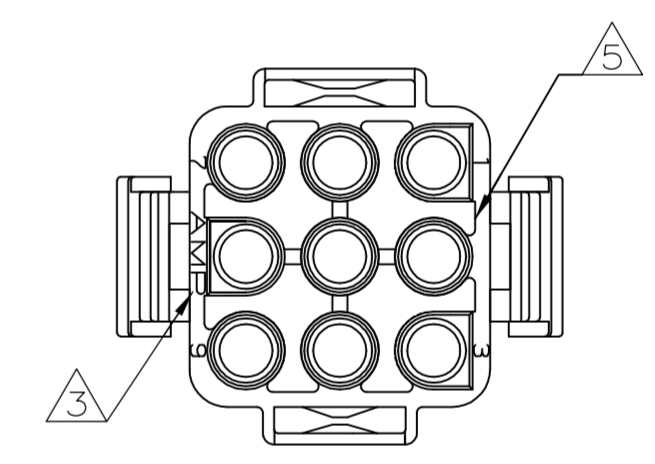


- 1. BULK PACKAGED, UNASSEMBLED.
- 2. APPROVAL AGENCY LOGO LOCATED APPROXIMATELY AS SHOWN.
- 3. AMP LOGO LOCATED THIS SURFACE.
- 4. CIRCUIT NUMBER ONE IDENTIFICATION RIB AND CIRCUIT IDENTIFICATION NUMBERS ARE EACH LOCATED ADJACENT TO THE APPROPRIATE CIRCUIT CAVITIES.
- 5. NEW MOLD CONSTRUCTION PROVIDES MATERIAL REDUCTION CORING AT BASE OF SILOS WITH NO CORING AS OPTIONAL.
- 6. DIMENSION INDICATED IS AS MOLDED. ADDITIONAL GROWTH DUE TO SUBSEQUENT MOISTURE ABSORPTION MAY OCCUR.



VIEW A-A  
SCALE 2:1

PLUG FRONT  
(P/N 770039-1)

PLUG REAR  
(P/N 770040-1)

770021-1  
PART NUMBER

METRIC

THIS DRAWING IS A CONTROLLED DOCUMENT.		DWN K. SALMON 1-22-92	PART NO	
DIMENSIONS: INCHES		CHK R. SWING 1-22-92	TE Connectivity	
TOLERANCES UNLESS OTHERWISE SPECIFIED:		APPD M. TRULL 1-22-92	NAME PLUG HOUSING KIT, 9 CIRCUIT, UNIVERSAL MATE-N-LOK™ II	
0. PLC ± -	1. PLC ± -	APPLICATION SPEC	SIZE A1	CAGE CODE 00779
2. PLC ± -	3. PLC ± 0.13 [.005]	WEIGHT	DRAWING NO 770021	RESTRICTED TO
4. PLC ± -	ANGLES ± -	CUSTOMER DRAWING	SCALE 5:1	SHEET 1 of 1
MATERIAL NYLON,UL94V-0,	FINISH -	REV E1		